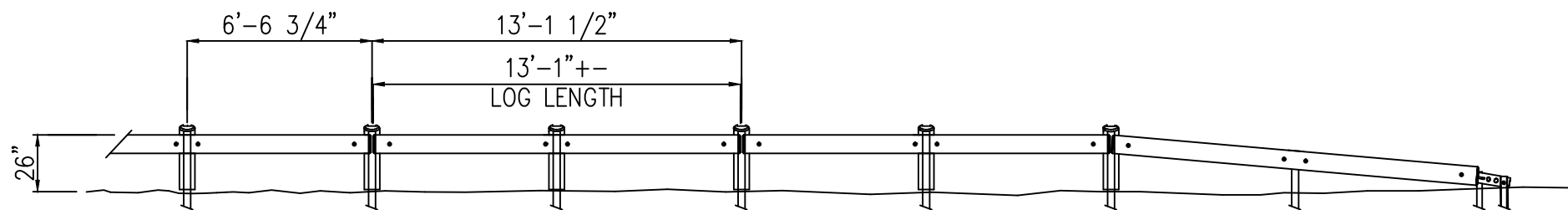
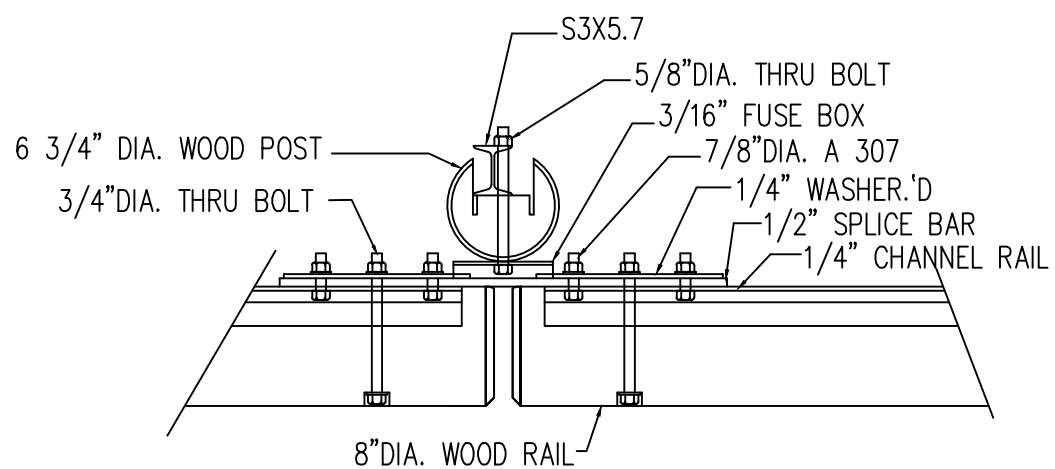


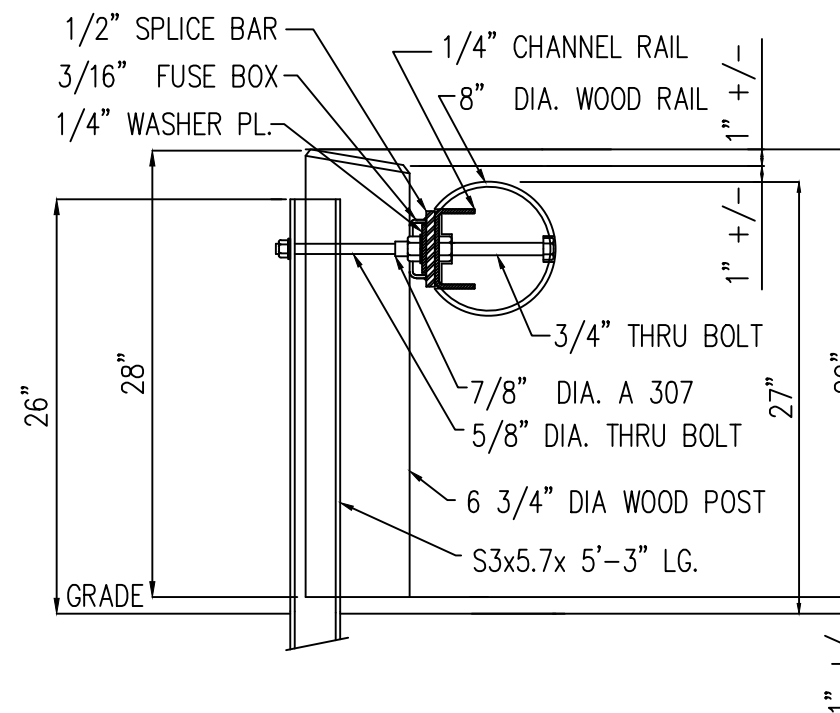
PLAN



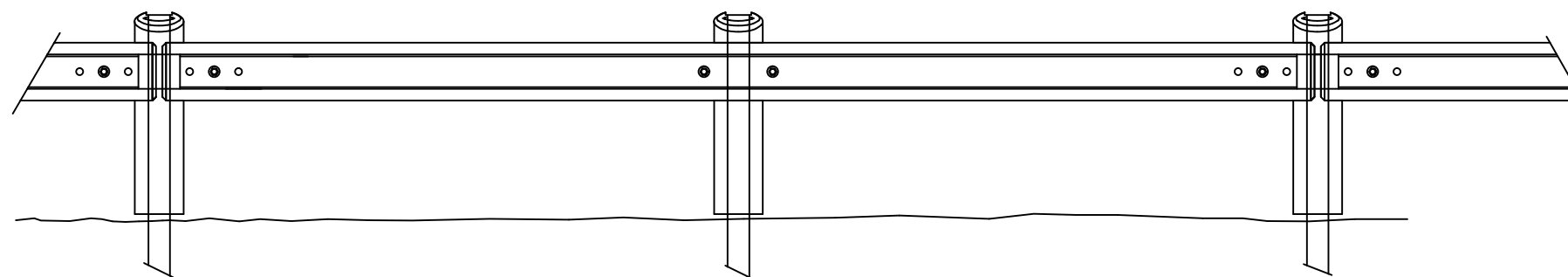
ELEVATION



ENLARGED PLAN



ENLARGED ELEVATION OF POST



ENLARGED ELEVATION

MATERIAL SPECIFICATIONS

ALL WOOD COMPONENTS ARE AVAILABLE IN:
 PRESSURE TREATED SOUTHERN YELLOW PINE
 PRESSURE TREATED RED PINE NO. 2
 EASTERN LARCH AND WESTERN RED CEDAR
 E=1,100 Ksi & Fb=675 Psi or BETTER
 ALL STEEL ASTM A36 & HOT DIP GALVANIZED PER ASTM A123
 IN ACCORDANCE WITH CONTRACT SPECIFICATIONS
 ALL HARDWARE TO BE ASTM A 307 & GALVANIZED PER ASTM A153

PROJECT NAME
COUNTY:
CONTRACT #:
GEN. CONTRACTOR:
SUB CONTRACTOR:

West -East Partners, LLC
 P.O. BOX 233, CLINTON, NY 13323

IRONWOOD™
 STEEL BACKED TIMBER GUARDRAIL

DWG. 1 of 7	DRAWN BY - DATE 10/15/13	CHECKED BY - DATE	JOB NO.	DWG. NO. A1	REV.
-------------	-----------------------------	-------------------	---------	----------------	------

12x18 3/26/14